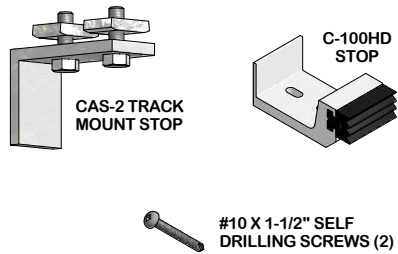
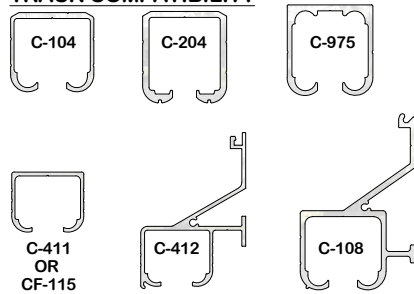


CAS-2 DOOR STOP INSTRUCTION SHEET

PARTS LIST



TRACK COMPATIBILITY



CAS-2 DOOR STOP (A 2 PART PRODUCT) IS IDEAL FOR DOUBLE DOOR APPLICATIONS.

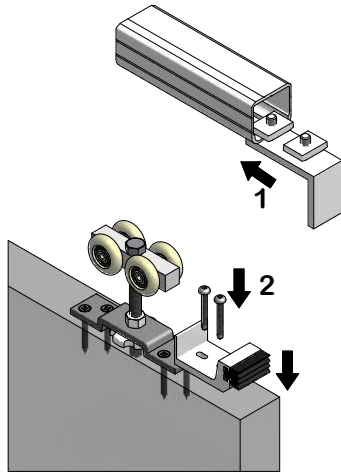
INSTRUCTIONS:

STEP 1
INSTALL CAS-2 TRACK MOUNT STOP BY SLIDING IT ON TO THE TRACK FROM THE END WITH THE SQUARE NUTS INSIDE THE TRACK. SEE ILLUSTRATION FOR MORE DETAILS.

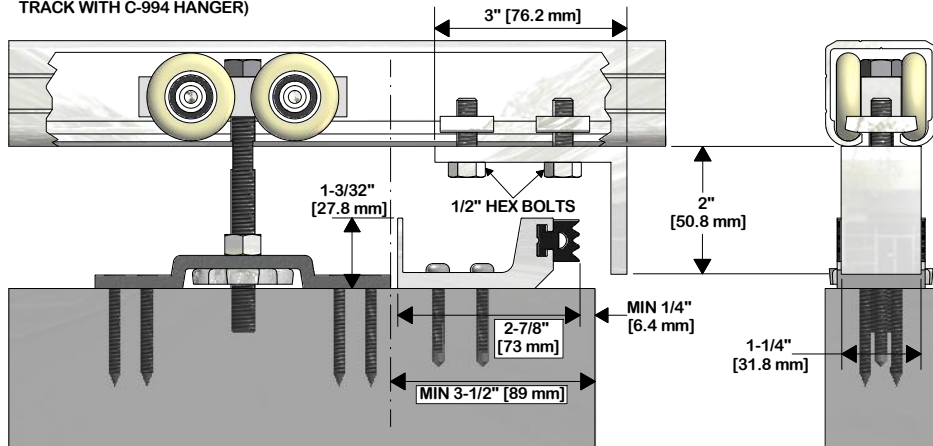
STEP 2
INSTALL C-100HD STOP ON TOP OF DOOR WITH NEOPRENE AT LEAST 1/4" AWAY AND FACING THE EDGE OF DOOR.

STEP 3
INSTALL DOOR AND OTHER REQUIRED PRODUCTS. DOOR HANGERS MUST BE AT LEAST 3-1/2" FROM THE EDGE OF THE DOOR TO AVOID OBSTRUCTION WITH THE CAS-2.

STEP 4
PLACE DOOR IN CLOSED OR THE REQUIRED STOPPING LOCATION. SLIDE CAS-2 TRACK MOUNT STOP UP AGAINST THE C-100HD NEOPRENE. USING A 1/2" WRENCH TIGHTEN THE BOLTS TO CLAMP THE SQUARE NUTS AGAINST THE TRACK.



(CAS-2 IS SHOWN WITH C-104 TRACK WITH C-994 HANGER)



K.N. CROWDER MFG. INC.
1220 BURLOAK DRIVE
BURLINGTON, ONTARIO, CANADA, L7L 6B3
TELEPHONE: 905-315-9788 - FAX: 905-315-8090
TOLL FREE FAX: 1-800-567-0123

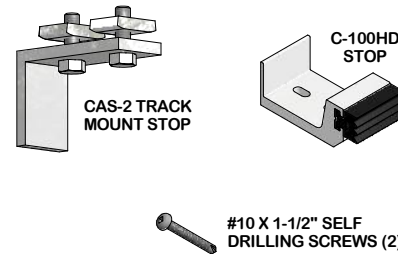
K.N. CROWDER INC.
210 EIGHTH STREET SOUTH
LEWISTON, NEW YORK, U.S.A. 14092
TELEPHONE: 1-716-754-8247
TOLL FREE FAX: 1-800-567-0123

WEBSITE: www.kncrowder.com -- E-MAIL: customerservice@kncrowder.com

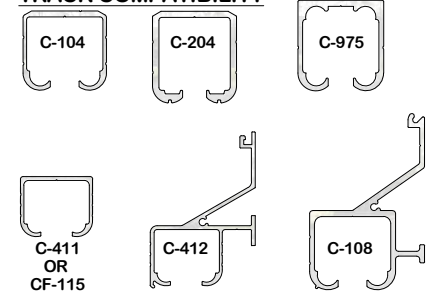


CAS-2 DOOR STOP INSTRUCTION SHEET

PARTS LIST



TRACK COMPATIBILITY



CAS-2 DOOR STOP (A 2 PART PRODUCT) IS IDEAL FOR DOUBLE DOOR APPLICATIONS.

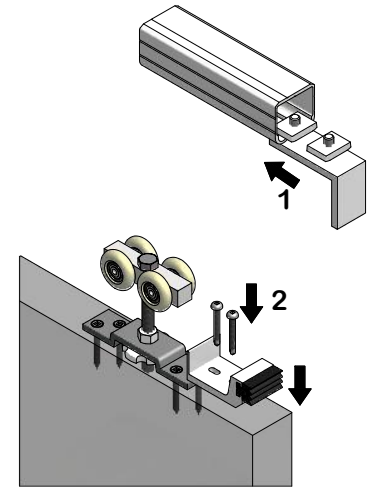
INSTRUCTIONS:

STEP 1
INSTALL CAS-2 TRACK MOUNT STOP BY SLIDING IT ON TO THE TRACK FROM THE END WITH THE SQUARE NUTS INSIDE THE TRACK. SEE ILLUSTRATION FOR MORE DETAILS.

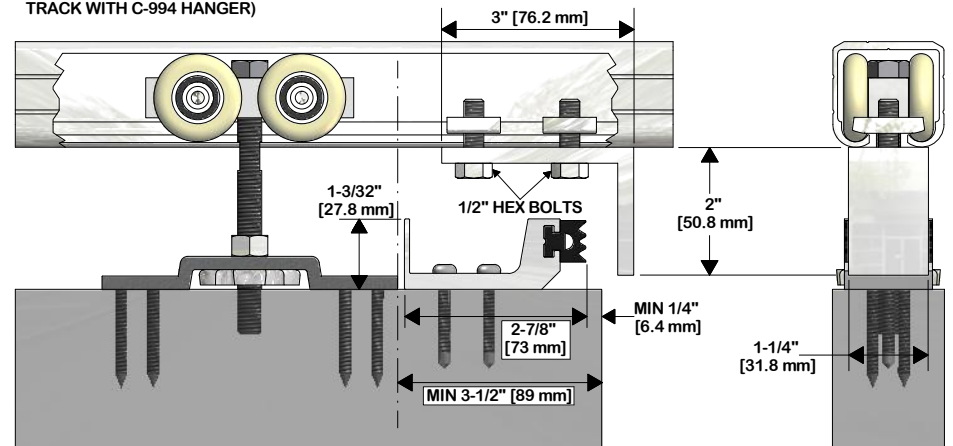
STEP 2
INSTALL C-100HD STOP ON TOP OF DOOR WITH NEOPRENE AT LEAST 1/4" AWAY AND FACING THE EDGE OF DOOR.

STEP 3
INSTALL DOOR AND OTHER REQUIRED PRODUCTS. DOOR HANGERS MUST BE AT LEAST 3-1/2" FROM THE EDGE OF THE DOOR TO AVOID OBSTRUCTION WITH THE CAS-2.

STEP 4
PLACE DOOR IN CLOSED OR THE REQUIRED STOPPING LOCATION. SLIDE CAS-2 TRACK MOUNT STOP UP AGAINST THE C-100HD NEOPRENE. USING A 1/2" WRENCH TIGHTEN THE BOLTS TO CLAMP THE SQUARE NUTS AGAINST THE TRACK.



(CAS-2 IS SHOWN WITH C-104 TRACK WITH C-994 HANGER)



K.N. CROWDER MFG. INC.
1220 BURLOAK DRIVE
BURLINGTON, ONTARIO, CANADA, L7L 6B3
TELEPHONE: 905-315-9788 - FAX: 905-315-8090
TOLL FREE FAX: 1-800-567-0123

K.N. CROWDER INC.
210 EIGHTH STREET SOUTH
LEWISTON, NEW YORK, U.S.A. 14092
TELEPHONE: 1-716-754-8247
TOLL FREE FAX: 1-800-567-0123

WEBSITE: www.kncrowder.com -- E-MAIL: customerservice@kncrowder.com

